

Copper SB

Versatility is beautiful



wallbox 

COPPER SB

Smart charging designed for endless possibilities

Wallbox Copper SB was created to provide a versatile yet elegant design for EV drivers and commercial parking. Any EV driver can power their car battery by simply plugging the charging cable to the socket. Combined with the myWallbox platform, it offers a full range of functions to control your charger status, users, energy consumption and much more.



Powerful EV charge

Up to 22 kW of charging capacity.



Durability

Safely install and use your charger indoors or outdoors.



Three year warranty

Developed and manufactured in Europe, Copper SB is designed to last.

COPPER SB

Intelligent and flexible EV charging



Flexible

Its integrated socket allows charging for any EV on the market.



Easy to share

Secure shared access through the use of RFID cards, or the myWallbox app.



Controllable

Use the myWallbox platform to control multiple chargers and users, access our energy management solutions, benefit from our integrated payment system, and more.



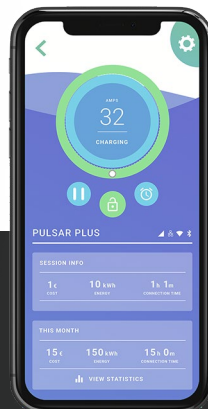
Connected

Connects to any smart device via Wi-Fi, Bluetooth, Ethernet, or 4G (optional).



Power Sharing

Connect two or more chargers to the same electrical circuit. Copper SB integrated software intelligence automatically balances the power distribution across all connected chargers based on each vehicle's need for power, providing optimal charge to all EVs at the same time.

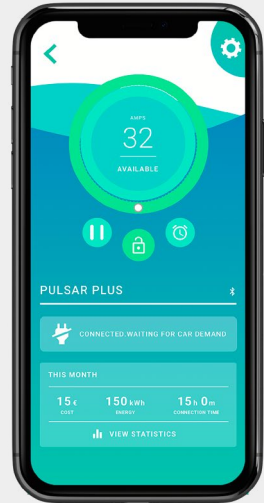


MYWALLBOX

Copper SB is powered by the myWallbox platform

The myWallbox platform offers a range of functions to support your business. Choose the subscription plan that best suits your needs and unlock advanced features such as:

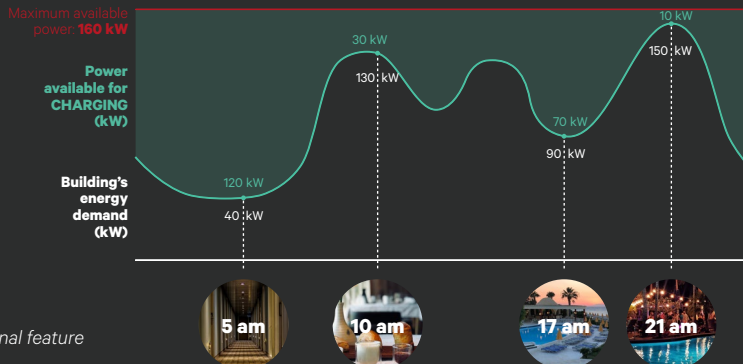
- Multiple users management
- Multiple chargers management
- Dynamic Power Sharing
- An integrated payment system
- Real-time status and statistics



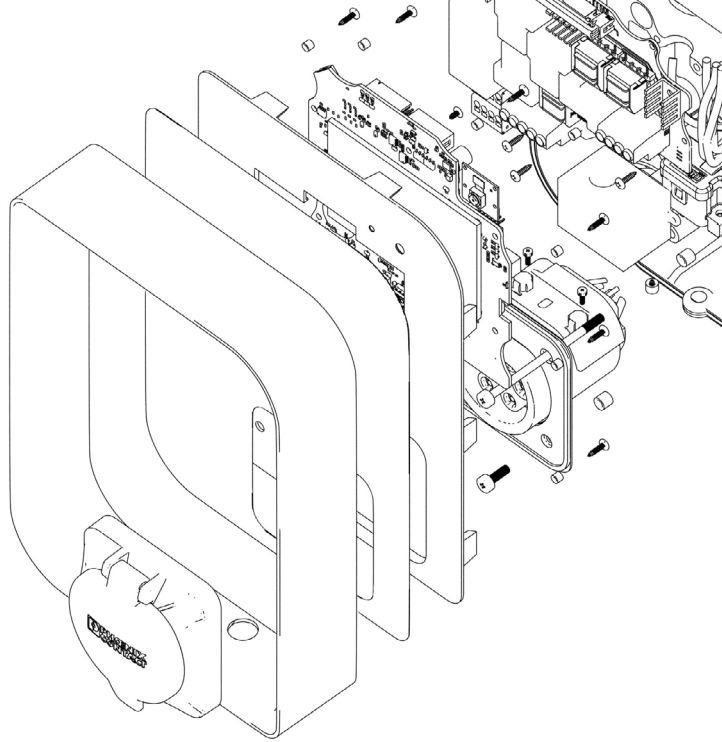
DYNAMIC POWER SHARING

Improve your charger intelligence with dynamic load management

Improve your charger intelligence with our dynamic load management solution to avoid blackouts and surprise energy bills. It will measure your building's live energy usage and automatically adjusts the charge to all connected EVs in harmony with your local grid's capacity.



*Optional feature



Product Details

GENERAL SPECIFICATIONS

Colour:	Black
Charging mode:	Mode: 3
Dimensions:	260x192x113 mm
Weight:	2kg

CONNECTIVITY & USER INTERFACE

Connectivity:	Wi-Fi / Ethernet / Bluetooth / Optional: 3G-4G
User Identification:	RFID Card / myWallbox app
User Interface:	myWallbox app & portal
Charger Status Information:	RGB LED / myWallbox app & portal
Included Features:	Power Sharing
Optional Features:	Power Boost / Dynamic Power Sharing / MID Meter
Communication Protocol:	myWallbox / OCPP 1.6j

ELECTRICAL SPECIFICATIONS

Maximum Charging Power:	7,4 kW (1Phase) / 22 kW (3Phase)
Rated Voltage AC±10%:	220 V to 240 V (7,4kW) 400 V (11kW and 22kW)
Rated Current:	32 A (7,4 kW - 1Phase) / 16 A (11 kW - 3Phase) / 32 A (22 kW - 3Phase)
Connector type:	Socket (Type 1 and Type 2)
Cable Section:	5x10mm ²
Configurable Current:	from 6 A to rated current
Protection Rating:	IP54 / IK08
Residual Current Detection:	DC 6 mA



Contact Us

Replace with
your LOGO